

REVISIONS			
REV.	DESCRIPTION	DATE	APPROVED
0	RELEASED FOR PRODUCTION	11/27/07	ON FILE
A	UPDATED TO CPF VERSION	4/15/2011	ON FILE

**SPECIFICATIONS:**

**PRESSURE RANGE:** SEE PRESSURES AND RESOLUTIONS CHART

**PRESSURE ACCURACY:** 20 - 100% OF FULL SCALE ±(0.2% OF READING)  
0 - 20% OF FULL SCALE ±(0.04% OF FULL SCALE)

**VACUUM ACCURACY:** (ONLY APPLIES TO 300 PSI AND LOWER PRESSURE GAUGES)  
0 to -99.9 kPa (-14.5 PSIG): ±0.25% OF FULL SCALE  
WHERE FULL SCALE: -99.9 kPa (-14.5 PSIG)

**POWER:** TWO AA (1.5V; LR6) BATTERIES .

**DISPLAY:**  
NUMERAL HEIGHT: 0.66 IN (16.8mm)  
RATE: 4 READINGS/SECOND

**PRESSURE CONNECTION:** CRYSTAL CPF SYSTEM: MEDIUM PRESSURE FEMALE (MPF) (1/4" MEDIUM PRESSURE TUBE SYSTEM WITH 7/16"-20 INTERNAL THREADS)

**ENCLOSURE:** POLYESTER/POLYCARBONATE BLEND.

**ENCLOSURE RATING:** IP65

**PROTECTIVE BOOT:**  
COLOR: BLUE  
MATERIAL: POLYPROPYLENE BLEND (PROPRIETARY)

**WEIGHT:** 11.7 oz (331 g)

**PRESSURE PORT MEDIA COMPATABILITY:** LIQUID AND GASES COMPATIBLE WITH 316L SS SENSOR.

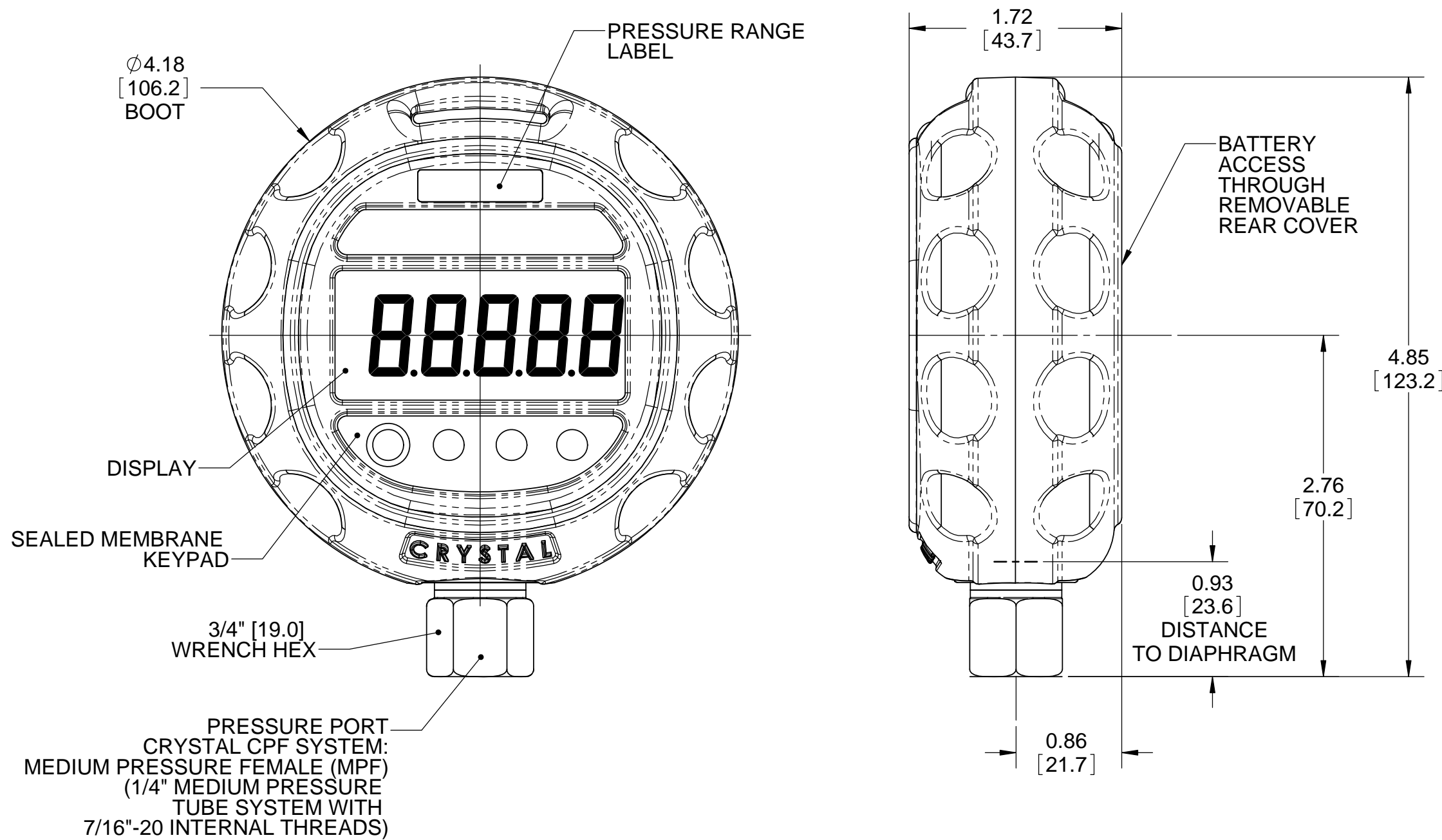
**OPERATING AND COMPENSATED TEMPERATURE RANGE:** -10°C TO +50°C (14°F TO 122°F).

**STORAGE TEMPERATURE RANGE:** -40°C TO +75°C (-40°F TO 167°F).

**CERTIFICATIONS:**  
OTHER: CE

DIMENSIONS ARE IN INCHES [MILLIMETERS]

SPECIFICATIONS SUBJECT TO CHANGE WITHOUT NOTICE.



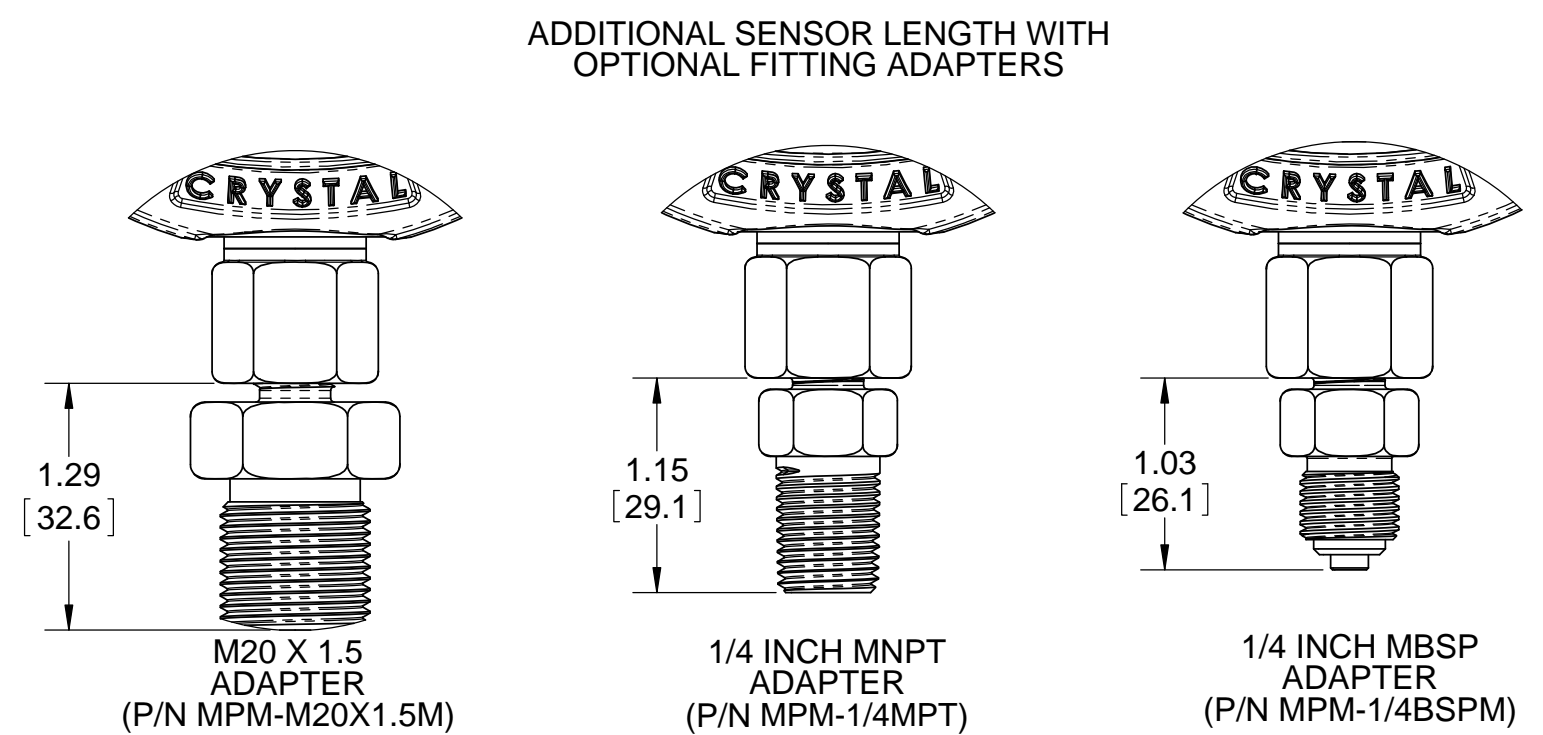
PRESSURE PORT  
CRYSTAL CPF SYSTEM:  
MEDIUM PRESSURE FEMALE (MPF)  
(1/4" MEDIUM PRESSURE  
TUBE SYSTEM WITH  
7/16"-20 INTERNAL THREADS)

**PRESSURES AND RESOLUTIONS**

AVAILABLE PRESSURES					AVAILABLE UNITS AND DISPLAY RESOLUTIONS									
PSI	Bar	kPa	kg/cm2	ALLOWED OVERPRESSURE PSI	PSI	kg/cm2	"Hg	"H2O	mmHg	mmH2O	kPa	MPa	Bar	mBar
30	2	200	2	100	0.001	0.0001	0.01	0.1	0.1	1	0.01		0.0001	0.1
100				200	0.01	0.001	0.01	0.1	1	1	0.1	0.0001	0.001	1
300	10	1000	10	200	0.01	0.001	0.01		1		0.1	0.0001	0.001	1
1000	20	2000	20	600	0.01	0.001	0.1		1		0.1	0.0001	0.001	1
				2000	0.1	0.01	0.1				1	0.001	0.01	
3000	100	10000	100	2000	0.1	0.01	0.1				1	0.001	0.01	
10000	200	20000	200	4500	0.1	0.01	1				1	0.001	0.01	
	700	70000	700	15000	1	0.1	1					0.01	0.1	

**VACUUM AND RESOLUTIONS**

APPLICABLE PRESSURES				AVAILABLE UNITS AND DISPLAY RESOLUTIONS									
PSI	Bar	kPa	kg/cm2	PSI	kg/cm2	"Hg	"H2O	mmHg	mmH2O	kPa	MPa	Bar	mBar
30	2	200	2	0.001	0.0001	0.01	0.1	0.1	1	0.01		0.0001	0.1
100				0.01	0.001	0.01	0.1	1		0.1	0.0001	0.001	1
300	10	1000	10	0.01	0.001	0.01		1		0.1	0.0001	0.001	1
	20	2000	20	0.01	0.001	0.1		1		0.1	0.0001	0.001	1



**PROPRIETARY NOTICE**  
THIS DOCUMENT AND ANY DATA DISCLOSED HEREIN IS THE SOLE PROPERTY OF CRYSTAL ENGINEERING CORPORATION AND MAY NOT BE REPRODUCED, USED OR DISCLOSED IN PART OR IN WHOLE, TO ANYONE WITHOUT THE WRITTEN CONSENT OF CRYSTAL ENGINEERING CORPORATION.

UNLESS OTHERWISE SPECIFIED DIMENSIONS ARE IN INCHES TOLERANCES ARE:  
FRACTIONS DECIMALS ANGLES  
.XXX ± .005  
.XXXX ± .001

**CRYSTAL** (805) 595-5477  
engineering corporation www.crystalengineering.net

**M1 SERIES PRESSURE GAUGE**

APPROVALS	DATE
DRAWN M.J.Cain	11/21/07
CHECKED D.Porter	11/27/07
MFG. ENGR. M.J.Cain	11/27/07
Q.A. M.Merrill	11/27/07

SCALE: 1:1 SIZE **C** DRAWING NO. **3666** REV **A**

DO NOT SCALE DRAWING SHEET 1 OF 1