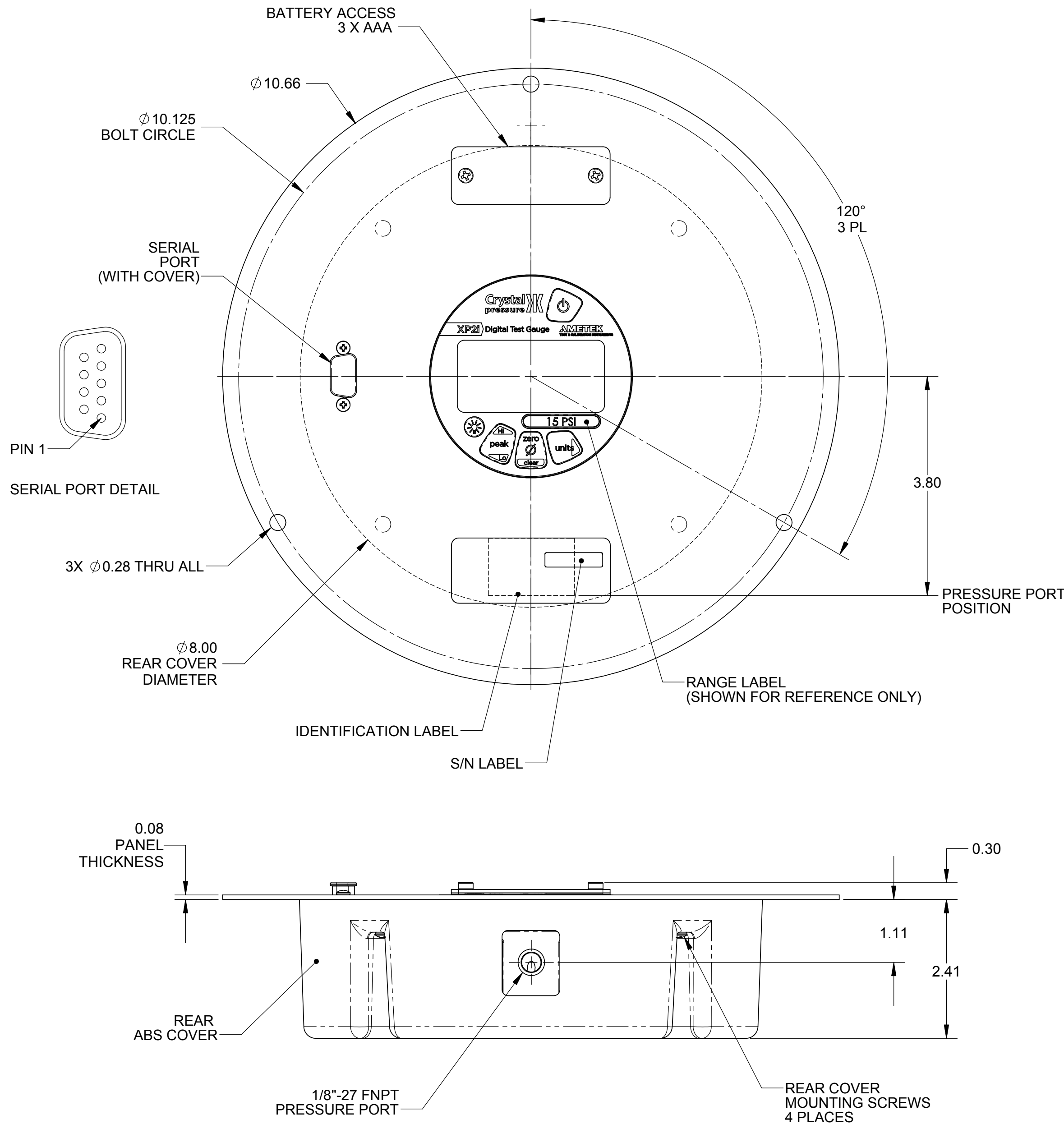


| REVISIONS | | | |
|-----------|------------------------------|-----------|----------|
| REV. | DESCRIPTION | DATE | APPROVED |
| 0 | RELEASED FOR PRODUCTION | 6/15/05 | ON FILE |
| D | INCORPORATED REV D XP2I | 10/16/12 | ON FILE |
| E | INCORPORATED REV E XP2I | 7/29/2013 | ON FILE |
| F | INCORPORATED "SEALED" DESIGN | 10/7/2015 | ON FILE |



SPECIFICATIONS

PRESSURE: SEE AVAILABLE PRESSURE RANGES CHART

ACCURACY:
 0% TO 20% OF FULL SCALE: ±0.02% OF FULL SCALE
 20% TO 100% OF FULL SCALE: ±0.1% OF READING

VACUUM: (ONLY APPLIES TO 300 PSI AND BELOW GAUGES)
 0 TO -14.5 PSIG: ±0.25% OF FULL SCALE (-14.5 PSI)

POWER: 3 AAA ALKALINE BATTERIES

PRESSURE CONNECTION: 1/8"-27 FEMALE NPT

ELECTRICAL INTERFACE: DB9F CONNECTOR, RS232

ENCLOSURE: STAINLESS STEEL PANEL, "AUTOFLEX-EBG10" POLYESTER MEMBRANE SWITCH PANEL, AND ABS REAR COVER.

WEIGHT: 2.5 lbs (1.1kg)

PRESSURE PORT MEDIA COMPATIBILITY: LIQUID AND GASES COMPATIBLE WITH 303 STAINLESS STEEL SENSOR MANIFOLD; 316 STAINLESS STEEL SENSOR; PTFE TAPE

OPERATING AND COMPENSATED TEMPERATURE RANGE: -10°C TO +50°C (14°F TO 122°F).

STORAGE TEMPERATURE RANGE: -40°C TO +70°C (-40°F TO 158°F).

CERTIFICATIONS: NONE

SPECIFICATIONS SUBJECT TO CHANGE WITHOUT NOTICE.

| AVAILABLE PRESSURE RANGES CHART | | | |
|---------------------------------|----------------|---------------|----------------|
| UNIT OF MEASURE | PRESSURE RANGE | GAUGE P/N | ABSOLUTE P/N |
| PSI | 15 | WT15PSI-1500 | - |
| | 30 | WT30PSI-1500 | - |
| | 100 | WT100PSI-1500 | - |
| | 300 | WT300PSI-1500 | - |
| | 500 | WT500PSI-1500 | - |
| | 1000 | WT1KPSI-1500 | - |
| | 2000 | WT2KPSI-1500 | WT2KPSIB-1500 |
| | 3000 | WT3KPSI-1500 | WT3KPSIB-1500 |
| | 5000 | WT5KPSI-1500 | WT5KPSIB-1500 |
| | 10000 | WT10KPSI-1500 | WT10KPSIB-1500 |
| BAR | 1 | WT1BAR-1500 | - |
| | 2 | WT2BAR-1500 | - |
| | 7 | WT7BAR-1500 | - |
| | 20 | WT20BAR-1500 | - |
| | 30 | WT30BAR-1500 | - |
| | 70 | WT70BAR-1500 | - |
| | 140 | WT140BAR-1500 | WT140BARB-1500 |
| | 200 | WT200BAR-1500 | WT200BARB-1500 |
| | 300 | WT300BAR-1500 | WT300BARB-1500 |
| | 700 | WT700BAR-1500 | WT700BARB-1500 |
| KPA | 100 | WT100KPA-1500 | - |
| | 200 | WT200KPA-1500 | - |
| | 700 | WT700KPA-1500 | - |
| | 2000 | WT2KKPA-1500 | - |
| | 3000 | WT3KKPA-1500 | - |
| | 7000 | WT7KKPA-1500 | - |
| | 14000 | WT14KKPA-1500 | WT14KKPAB-1500 |
| | 20000 | WT20KKPA-1500 | WT20KKPAB-1500 |
| | 30000 | WT30KKPA-1500 | WT30KKPAB-1500 |
| | 70000 | WT70KKPA-1500 | WT70KKPAB-1500 |

NOTE: ALL RANGES SHOWN ARE ALSO AVAILABLE IN A -DD (DUAL DISPLAY) VERSION
 EXAMPLE: WT100KPA-DD-1500

UNLESS OTHERWISE SPECIFIED DIMENSIONS ARE IN INCHES
 TOLERANCES ARE:
 FRACTIONS DECIMALS ANGLES
 .XXX ± .005
 .XXXX ± .001

CRYSTAL (805) 595-5477
 engineering corporation www.crystallengineering.net

WT-1500 SERIES GAUGE

| | | | | | |
|------------------------|-----------|----------------------|------------------|----------------------------|-----------------|
| APPROVALS | DATE | SCALE: 1:1 | SIZE C | DRAWING NO. 3316 | REV F |
| DRAWN M.J.Cain | 6/15/2005 | | | | |
| CHECKED D.Porter | 6/15/2005 | DO NOT SCALE DRAWING | | | |
| MFG. ENGR. M.J.Cain | 6/15/2005 | SHEET 1 OF 1 | | | |
| Q.A. M.Merrill | 6/15/2005 | | | | |

PROPRIETARY NOTICE
 THIS DOCUMENT AND ANY DATA DISCLOSED HEREIN IS THE SOLE PROPERTY OF CRYSTAL ENGINEERING CORPORATION AND MAY NOT BE REPRODUCED, USED OR DISCLOSED IN PART OR IN WHOLE, TO ANYONE WITHOUT THE WRITTEN CONSENT OF CRYSTAL ENGINEERING CORPORATION.