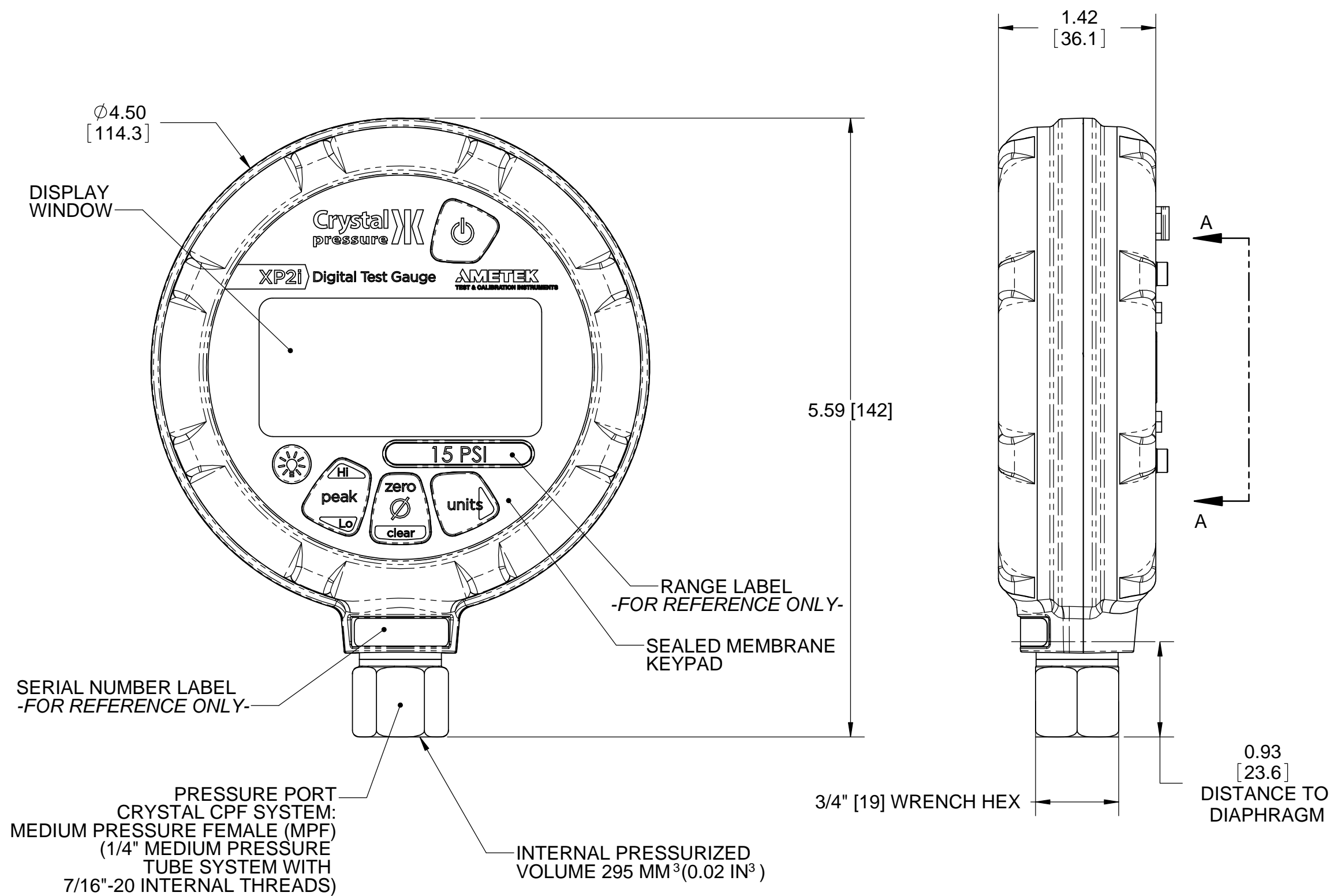


REVISIONS			
REV.	DESCRIPTION	DATE	APPROVED
A	INITIAL RELEASE	10/11/12	ON FILE
B	UPDATED GRAPHICS AND ADDED CSA	7/15/2013	ON FILE
C	ADDED 15KPSI VERSIONS		



**SPECIFICATIONS**

**PRESSURE RANGE:** SEE PRESSURES AND RESOLUTIONS CHART

**PRESSURE ACCURACY:** 20 - 100% OF FULL SCALE ±(0.1% OF READING)  
0 - 20% OF FULL SCALE ±(0.02% OF FULL SCALE)

**VACUUM ACCURACY:** (ONLY APPLIES TO 300 PSI AND LOWER PRESSURE GAUGES)  
0 to -100.0 kPa (-14.5 PSIG): ±0.25% OF FULL SCALE  
WHERE FULL SCALE: -100.0 kPa (-14.5 PSIG)

**POWER:** THREE AA (1.5V) AA: RAYOVAC MAXIMUM PLUS, ENERGIZER® E91, ENERGIZER® EN91, OR DURACELL MN1500. USE OF ANY OTHER BATTERY VOIDS INTRINSIC SAFETY RATINGS

**PRESSURE CONNECTION:** CRYSTAL CPF SYSTEM: MEDIUM PRESSURE FEMALE (MPF) (1/4" MEDIUM PRESSURE TUBE SYSTEM WITH 7/16"-20 INTERNAL THREADS)

**ENCLOSURE:** NICKEL-PLATED ALUMINUM ALLOY CASE, AUTOFLEX-EBG10 MEMBRANE SWITCH PANEL.

**ENCLOSURE RATING:** DESIGNED TO MEET NEMA4/IP67

**WEIGHT:** 19.8 oz (562 g)

**PRESSURE PORT MEDIA COMPATIBILITY:** LIQUID AND GASES COMPATIBLE WITH 316L SS SENSOR.

**OPERATING AND COMPENSATED TEMPERATURE RANGE:** -10°C TO +50°C (14°F TO 122°F).

**STORAGE TEMPERATURE RANGE:** -40°C TO +75°C (-40°F TO 167°F).

**CERTIFICATIONS:**

**INTRINSICALLY SAFE:**

**CSA:** CLASS I, DIVISION 1, GROUPS A, B, C, AND D - T4/T3C (CANADA AND U.S.)

**ATEX:** II 1G Ex ia IIC T4/T3 Ga FTZU 12 ATEX 0048X

**IECEX SCHEME:** Ex ia IIC T4/T3 Ga IECEX FTZU 12.0009X

**OTHER:**

**C-TICK:** COMPLIES WITH AUSTRALIAN C-TICK

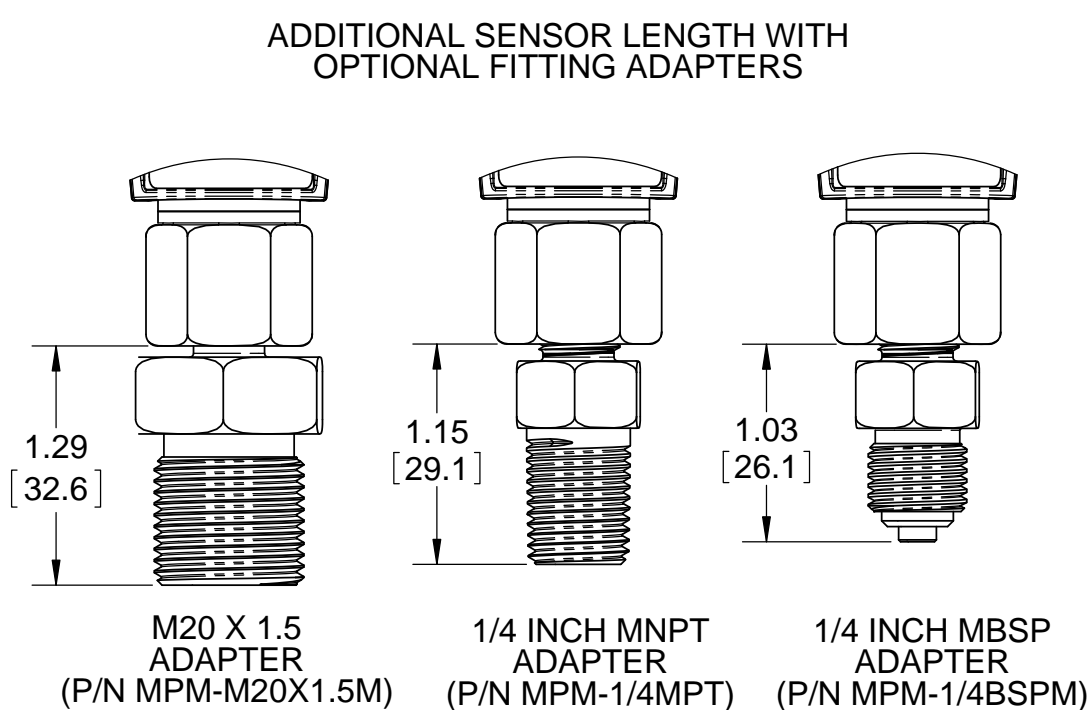
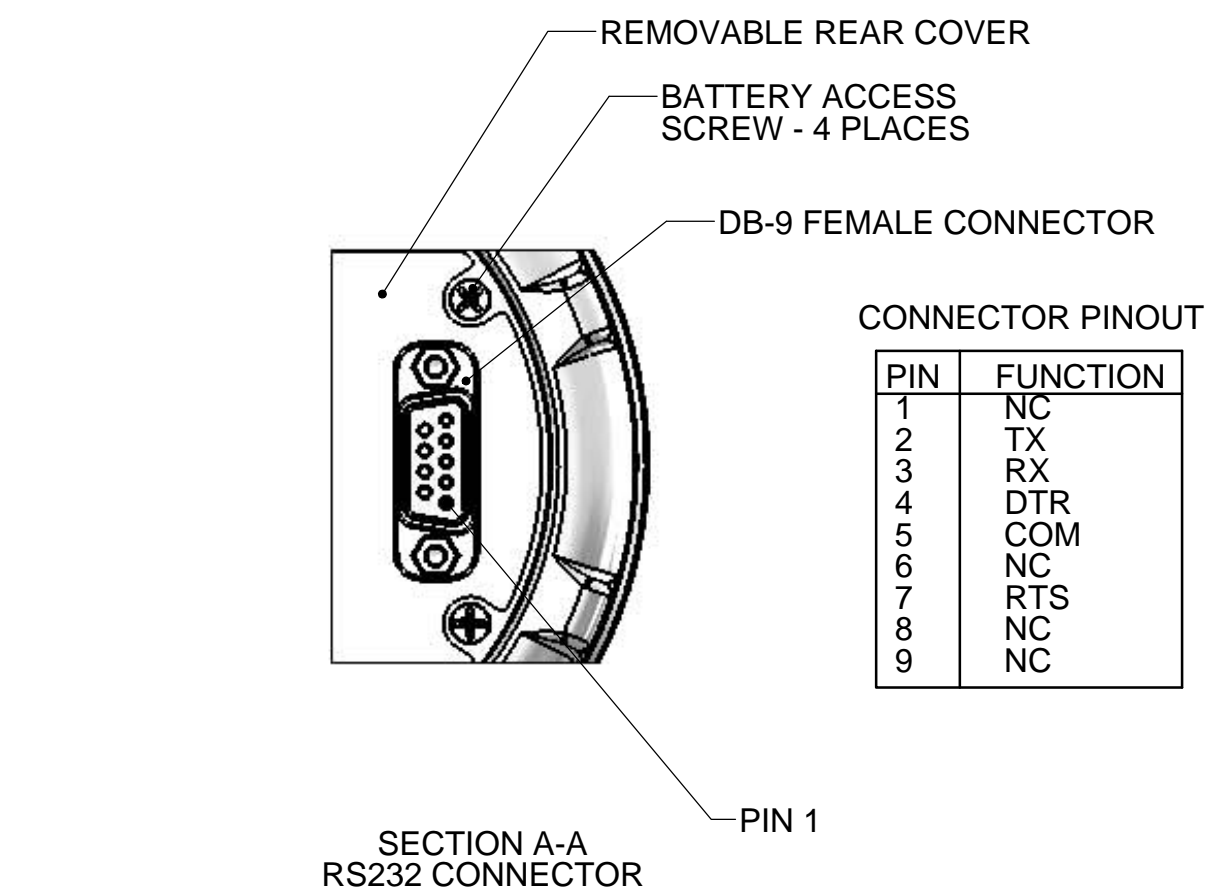
**DNV:** COMPLIES WITH DNV'S RULES FOR CLASSIFICATION OF SHIPS, HSLC AND OFFSHORE STANDARDS

DIMENSIONS ARE IN INCHES [MILLIMETERS]

SPECIFICATIONS SUBJECT TO CHANGE WITHOUT NOTICE.

PROTECTIVE BOOT OPTION SHOWN ON SHEET 2

MOUNTING FLANGE AND REAR PORT OPTIONS SHOWN ON SHEET 2



**PRESSURES AND RESOLUTIONS**

AVAILABLE PRESSURES				AVAILABLE UNITS AND DISPLAY RESOLUTIONS									
PSI	bar	kPa (1)	ALLOWED OVERPRESSURE PSI	PSI	kg/cm2	"Hg	"H2O	mmHg	mmH2O	bar	mbar	kPa	MPa
15	1	100	100	0.001	0.0001	0.001	0.01	0.01	1	0.0001	0.1	0.01	
30	2	200	100	0.001	0.0001	0.001	0.01	0.1	1	0.0001	0.1	0.01	
100	7	700	200	0.01	0.0001	0.01	0.1	0.1	1	0.0001	0.1	0.01	
300	20	2000	600	0.01	0.001	0.01	0.1	1		0.001	1	0.1	
500	30	3000	1000	0.01	0.001	0.1	1	1		0.001	1	0.1	
1000	70	7000	2000	0.1	0.001	0.1				0.001		0.1	
2000	140	14000	4500	0.1	0.01	0.1				0.01		1	0.001
3000	200	20000	4500	0.1	0.01	0.1				0.01		1	0.001
5000	300	30000	7500	0.1	0.01	1				0.01		1	0.001
10000	700	70000	15000	1	0.01					0.01		1	0.001
15000	1000	100000	20000	1	0.01					0.01		1	0.001

**VACUUM AND RESOLUTIONS**

APPLICABLE PRESSURES			AVAILABLE UNITS AND DISPLAY RESOLUTIONS								
PSI	bar	kPa	PSI	kg/cm2	"Hg	"H2O	mmHg	mmH2O	kPa	bar	mbar
15	1	100	0.001	0.0001	0.001	0.01	0.01	1	0.01	0.0001	0.1
30	2	200	0.001	0.0001	0.001	0.01	0.1	1	0.01	0.0001	0.1
100	7	1000	0.01	0.0001	0.01	0.1	0.1	1	0.01	0.0001	0.1
300	20	2000	0.01	0.001	0.01	0.1	1		0.01	0.001	1

UNLESS OTHERWISE SPECIFIED DIMENSIONS ARE IN INCHES TOLERANCES ARE: FRACTIONS DECIMALS ANGLES .XXX ± .005 .XXXX ± .001

**CRYSTAL** (805) 595-5477  
engineering corporation www.crystallengineering.net

**XP21 SERIES PRESSURE GAUGE**

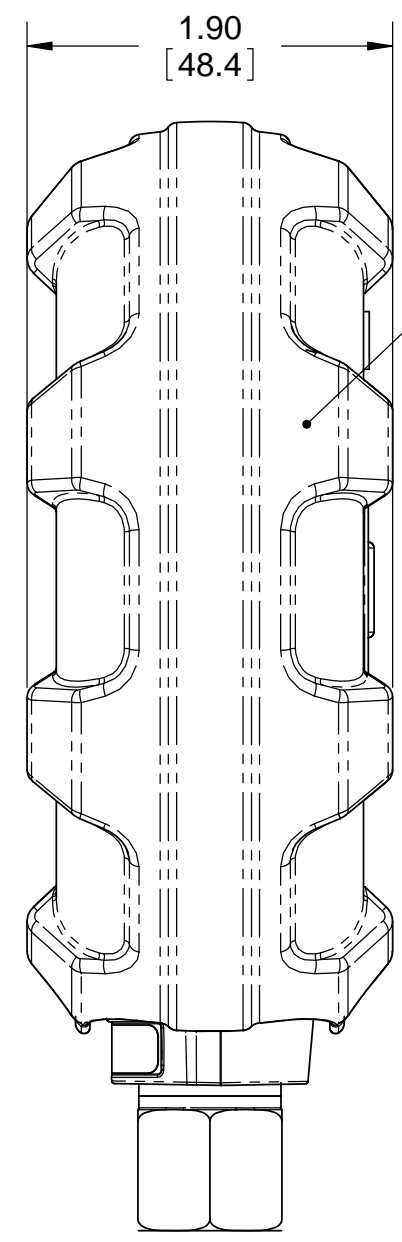
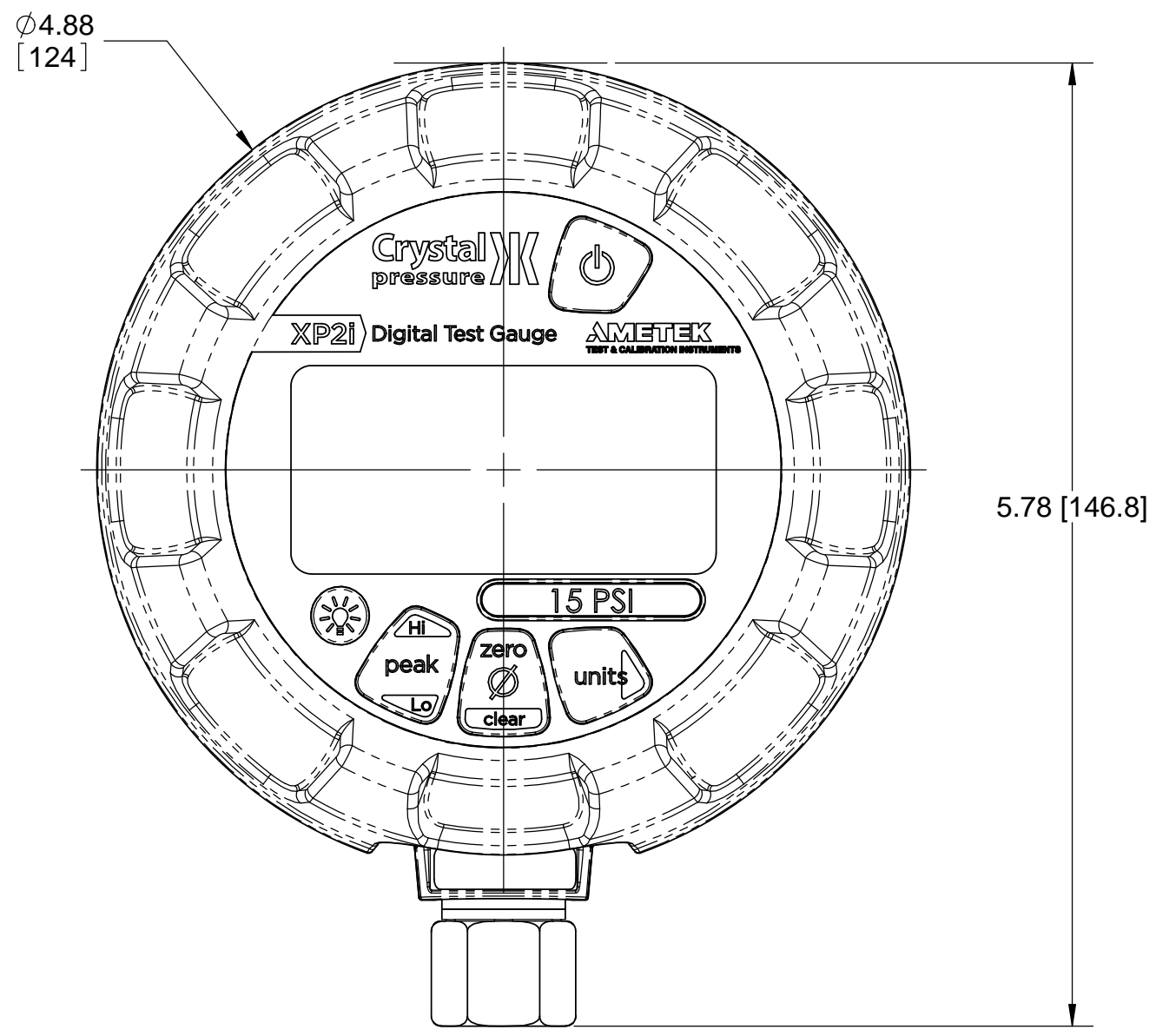
**PROPRIETARY NOTICE**  
THIS DOCUMENT AND ANY DATA DISCLOSED HEREIN IS THE SOLE PROPERTY OF CRYSTAL ENGINEERING CORPORATION AND MAY NOT BE REPRODUCED, USED OR DISCLOSED IN PART OR IN WHOLE, TO ANYONE WITHOUT THE WRITTEN CONSENT OF CRYSTAL ENGINEERING CORPORATION.

APPROVALS	DATE
DRAWN M.J.Cain	9/26/12
CHECKED T.Leger	10/11/12
MFG. ENGR. M.J.Cain	10/11/12
Q.A. D.Porter	10/11/12

SCALE: 1:1	SIZE	DRAWING NO.	REV
	<b>C</b>	<b>4994</b>	<b>C</b>

(1) kPa MODELS DISPLAY PRESSURE IN kPa, MPa, bar, mbar if applicable.

REVISIONS			
REV.	DESCRIPTION	DATE	APPROVED
-	See Sheet1	-	-

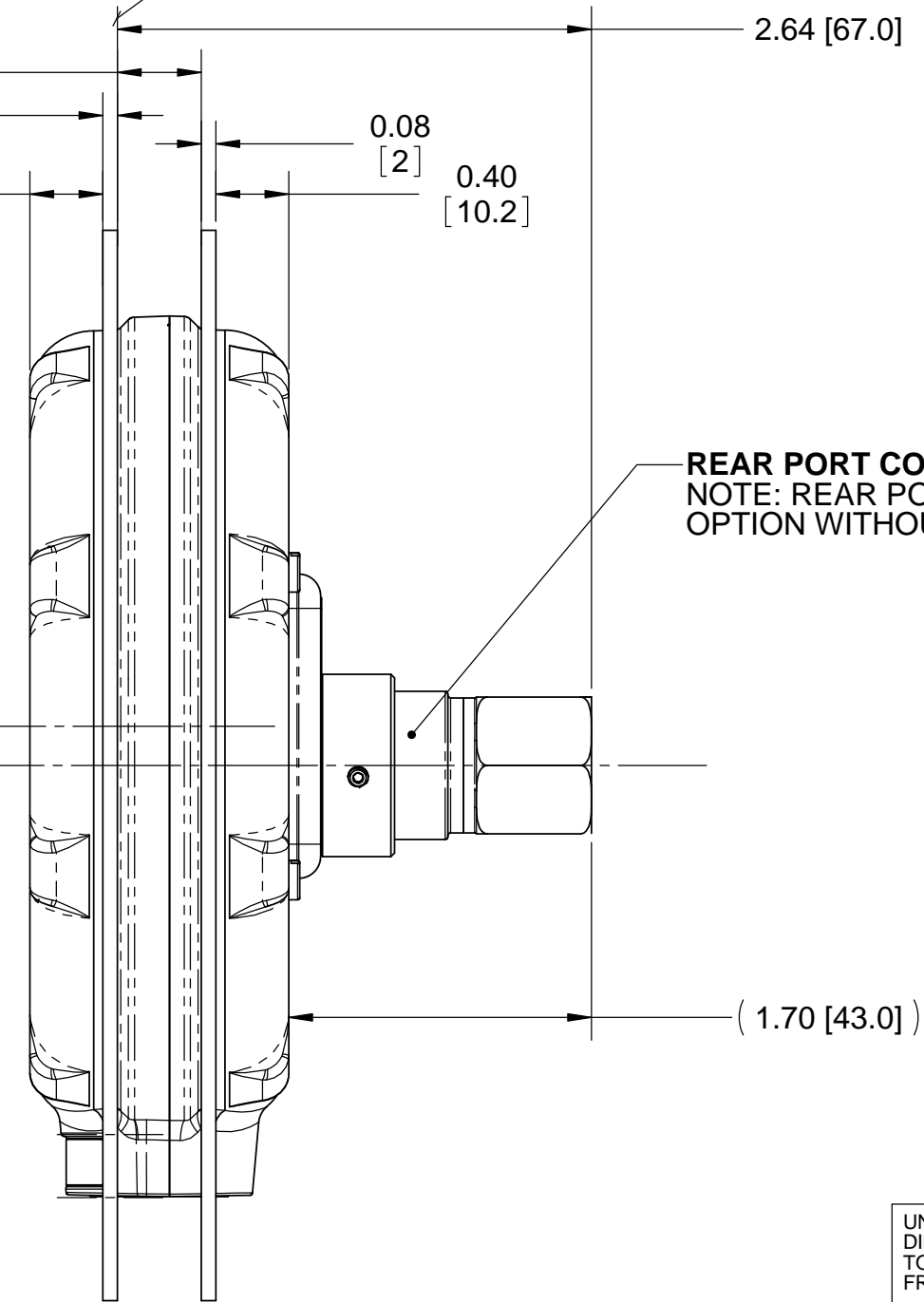
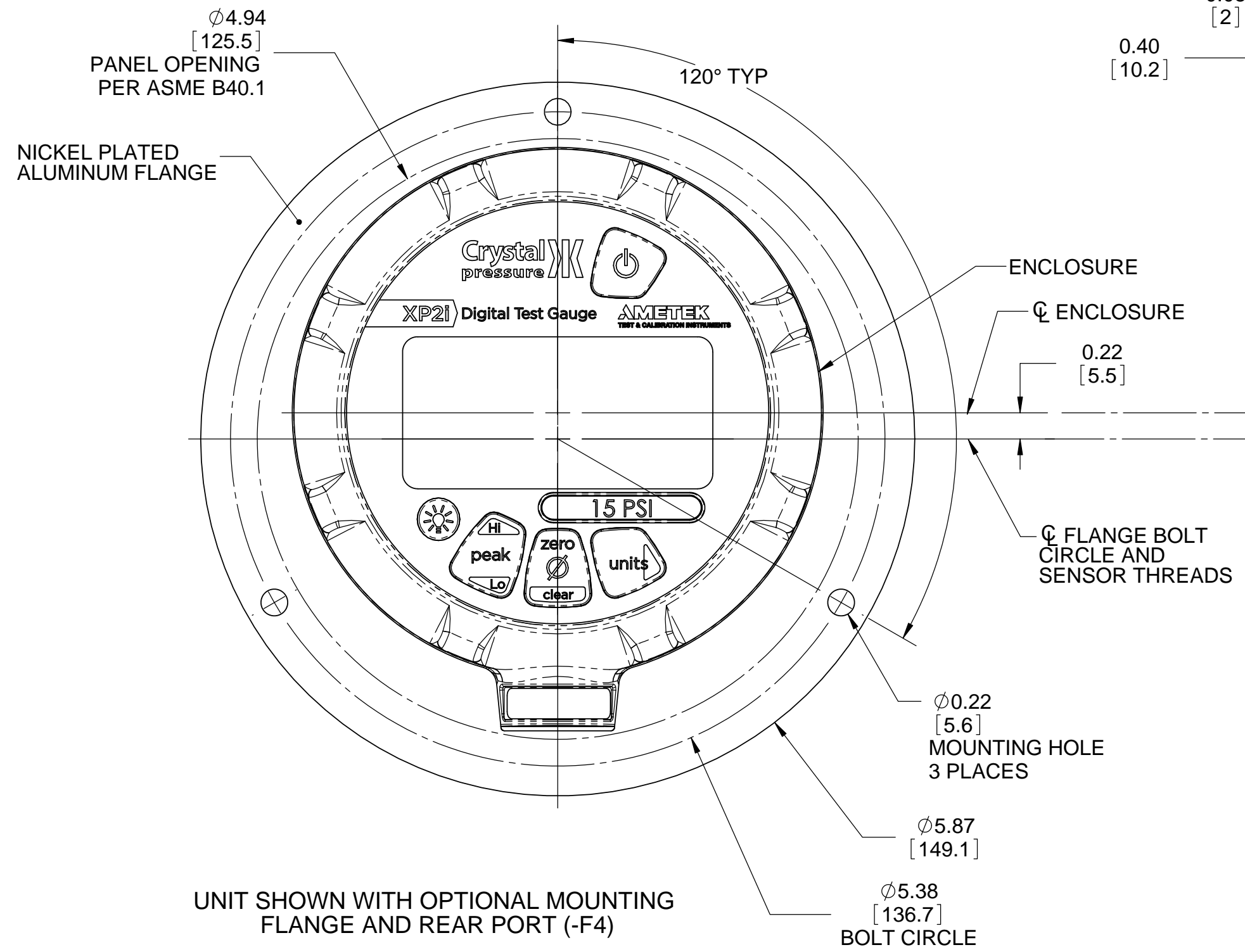


**PROTECTIVE BOOT**  
 COLOR: BLUE  
 MATERIAL: POLYPROPYLENE BLEND  
 HARDNESS: 55 SHORE A

NOTES:  
 REFER TO SHEET 1

UNIT SHOWN WITH OPTIONAL PROTECTIVE BOOT

SEE "XP2i FLANGE MOUNTING KIT ASSEMBLY INSTRUCTIONS" (CRYSTAL ENGINEERING P/N 3962) FOR FLANGE MOUNT PANEL CUT-OUT DIMENSIONS, TEMPLATE AND ASSOCIATED INFORMATION.



**REAR PORT CONFIGURATION**  
 NOTE: REAR PORT IS AVAILABLE AS AN OPTION WITHOUT FLANGE (-RP)

UNIT SHOWN WITH OPTIONAL MOUNTING FLANGE AND REAR PORT (-F4)

**PROPRIETARY NOTICE**  
 THIS DOCUMENT AND ANY DATA DISCLOSED HEREIN IS THE SOLE PROPERTY OF CRYSTAL ENGINEERING CORPORATION AND MAY NOT BE REPRODUCED, USED OR DISCLOSED IN PART OR IN WHOLE, TO ANYONE WITHOUT THE WRITTEN CONSENT OF CRYSTAL ENGINEERING CORPORATION.

UNLESS OTHERWISE SPECIFIED DIMENSIONS ARE IN INCHES TOLERANCES ARE: FRACTIONS DECIMALS ANGLES .XXX ± .005 .XXXX ± .001		<b>CRYSTAL</b> (805) 595-5477 engineering corporation www.crystalengineering.net	
APPROVALS		DATE	
DRAWN	M.J.Cain	9/26/12	
CHECKED	T.Leger	10/11/12	
MFG. ENGR.	M.J.Cain	10/11/12	
Q.A.	D.Porter	10/11/12	
SCALE: 1:1		SIZE	DRAWING NO.
		<b>C</b>	<b>4994</b>
DO NOT SCALE DRAWING		SHEET 2 OF 2	