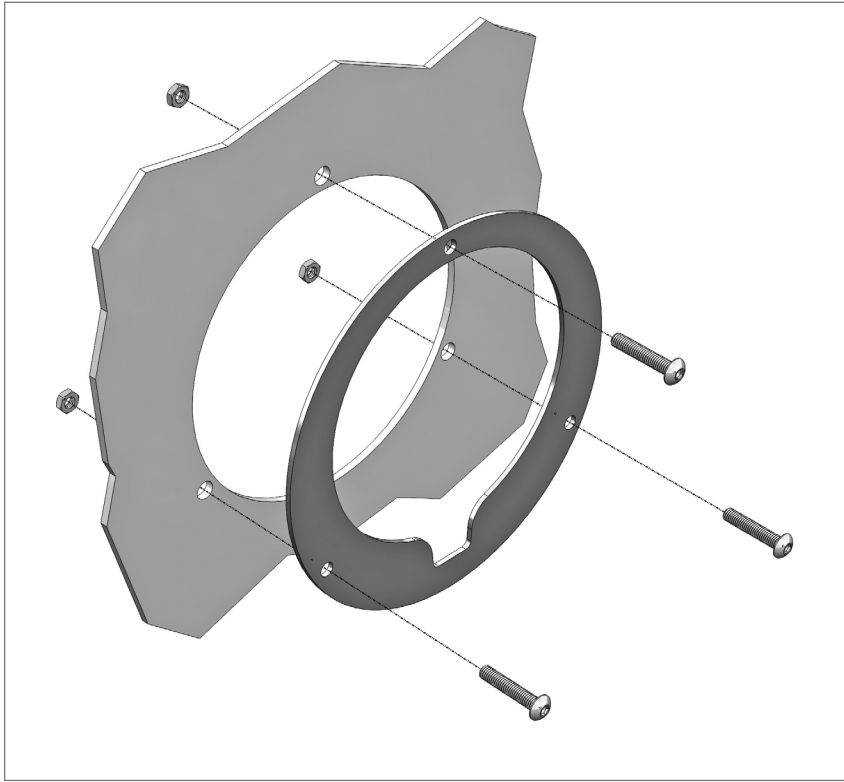


# Flange Mounting Kit

## Instruction Manual for XP3i





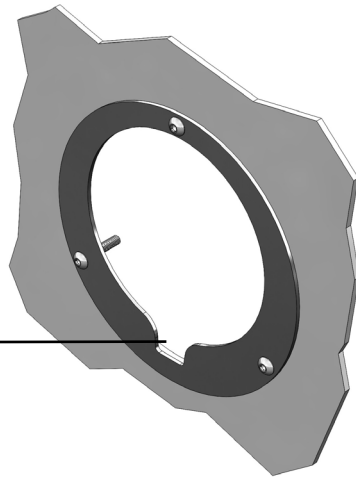
**1** Prepare the panel opening per the diagram on page 6.

**2** Install the Front Flange using three (3) 10-32 x 7/8" Socket Pan Head Screws and three (3) 10-32 Nuts.

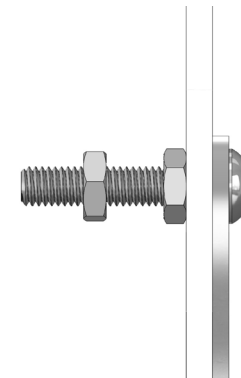
**Note:** The front and rear flanges are slightly different, with the front flange having a smaller gauge stem opening.

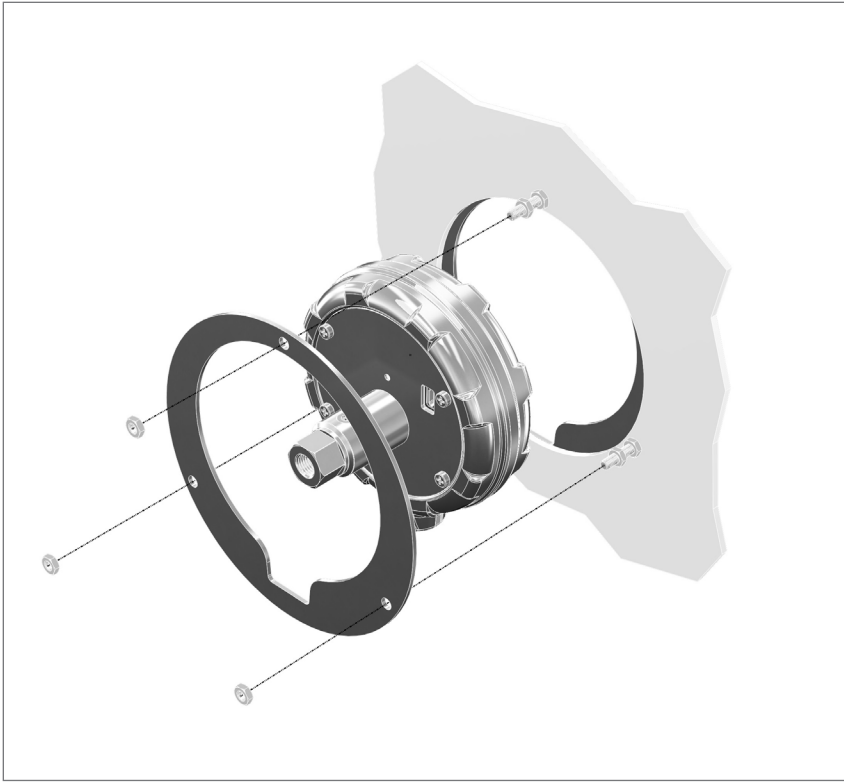
**3** Tighten using a 3/8" wrench and the provided Hex Key.

**Note:** If necessary, the 10-32 Nuts can be installed from the front, working through the cut-out hole.



**4** Install one (1) additional 10-32 Nut onto each screw. Hand-tighten only.

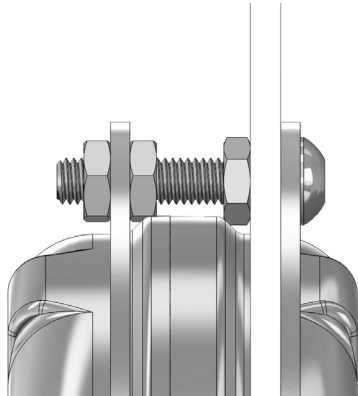




**5** From the back side, install the Rear Port XP3i.

**6** Install the Rear Flange over the XP3i using three (3) 10-32 Nuts. Tighten using a 3/8" wrench until the Rear Flange securely clamps the XP3i.

**Note:** Do not overtighten.

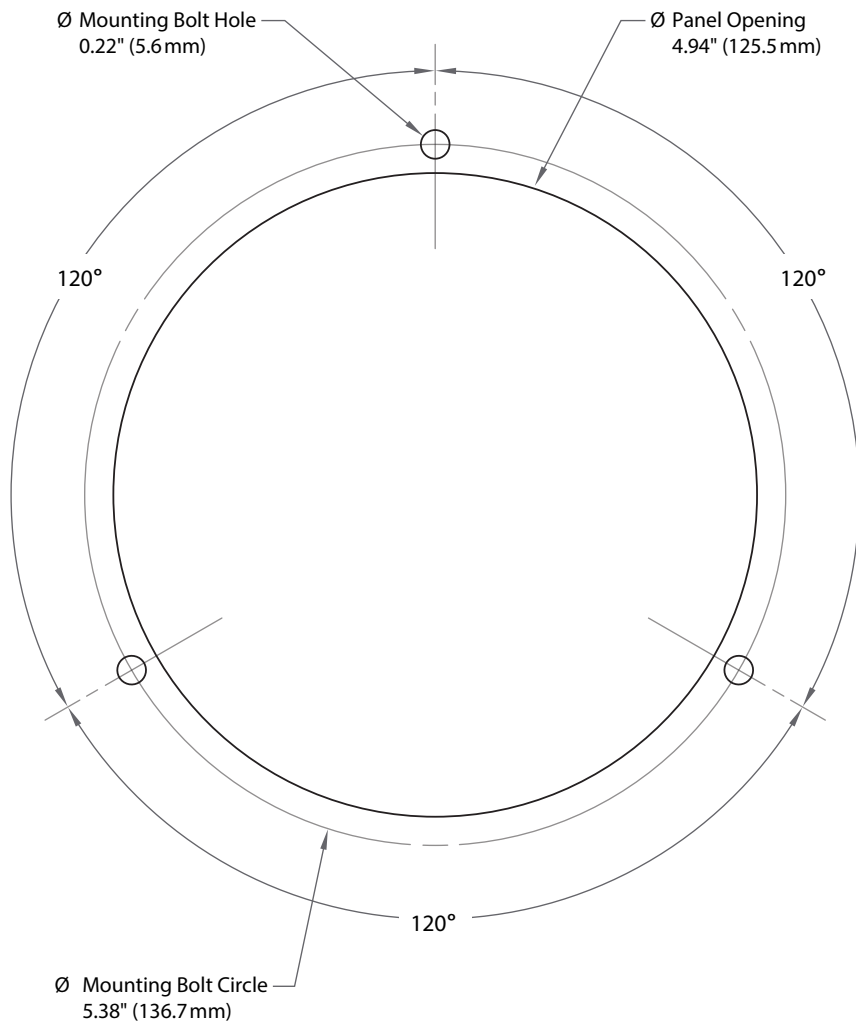


**7** Back out each of the three (3) hand-tight nuts installed in step 3, until they fit snugly against the Rear flange.

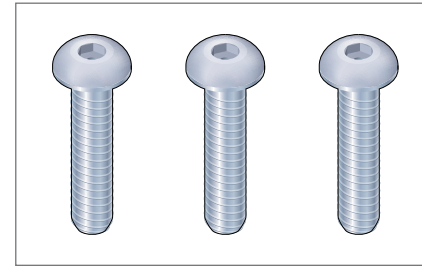
**8** Using a 3/8" wrench, tighten each of the three (3) nuts against the Rear Flange.

**Note:** Due to the use of double nuts (aka jam nuts) the final assembly will be vibration resistant.

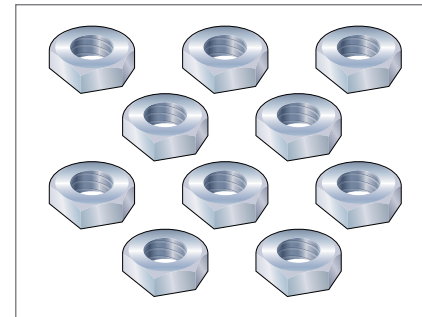
## FLANGE MOUNTING DIAGRAM



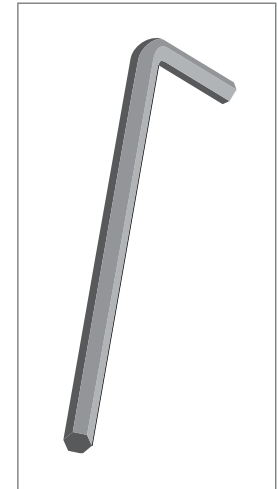
## INCLUDED PARTS



**QTY 3** 10-32 x 7/8" Socket Pan Head Screws



**QTY 10** 10-32 Nuts



**QTY 1** Hex Key



**QTY 2** Flanges



© 2024 Crystal Engineering Corporation

708 Fiero Lane, Suite 9, San Luis Obispo, California 93401-8701

---

