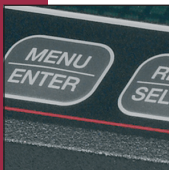


# User Manual

## JOFRA STS-102 A 030

©Copyright 2010 AMETEK Denmark A/S

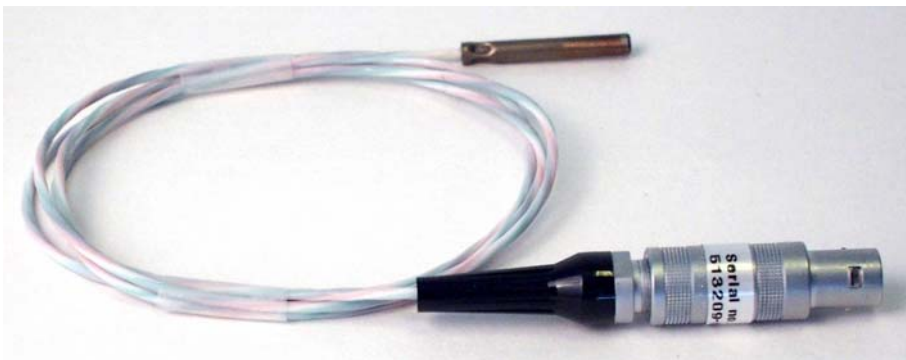
*...because calibration is  
a matter of confidence*



# User Manual

## JOFRA STS-102 A 030

© Copyright 2010 AMETEK Denmark A/S





# List of contents

---

<b>1.0</b>	<b>General information .....</b>	<b>4</b>
<b>2.0</b>	<b>Safety instructions .....</b>	<b>5</b>
<b>3.0</b>	<b>Introduction .....</b>	<b>6</b>
<b>4.0</b>	<b>Functionality .....</b>	<b>7</b>
4.1	Functional description .....	7
4.2	Connections .....	7
4.3	Serial number .....	8
<b>5.0</b>	<b>Operation .....</b>	<b>9</b>
5.1	Operation area .....	9
<b>6.0</b>	<b>Maintenance.....</b>	<b>10</b>
<b>7.0</b>	<b>Technical specifications.....</b>	<b>11</b>
<b>8.0</b>	<b>Calibration of temperature sensors for sanitary process connection .....</b>	<b>12</b>
8.1	Accessories kit.....	12
8.2	The reference sensor.....	13
8.3	The calibration sequence .....	15
8.4	Drilling instructions.....	16

# 1.0 General information

---

This manual is only effective for the following product:

- **JOFRA STS-102 A 030**

The product is manufactured by:



**AMETEK Denmark A/S**  
Gydevang 32-34  
3450 Allerød - Denmark

TEL: +45 48 16 80 00

FAX: +45 48 16 80 80

## 2.0 Safety instructions

---



### Read this manual carefully before using the sensor!

In order to avoid any personal injuries and/or damage to the sensor all safety instructions and warnings must be observed.



### Warning

- Do not use in hazardous area.
- Handle carefully.
- Never exceed temperature range



### Caution...

- When measuring temperature in fluids (e.g. at re-calibration) the enclosed protection tube must be used.
- The probe must **always** be protected against any mechanical damage.
- The probe must **never** be exposed to mechanical shock effects.
- Avoid thermal shock
- Any bending of the probe may cause permanent damage
- **Never** use power or tools to place the probe.

## 3.0 Introduction

---

The JOFRA STS-102 A 030 probe is specially designed for fast and traceable calibration and temperature measuring with your JOFRA equipment, and is ready for use.

The JOFRA STS-102 A 030 probe is through its functional design adapted for calibration of short temperature sensors in dry-block calibrators.

Please read this manual carefully before use, to obtain maximum value of your calibration system.



### Warning

- Do not use in hazardous area.
- Handle carefully.
- Never exceed temperature range

## 4.0 Functionality

---

### 4.1 Functional description

The sensor can be used for measuring temperature in the range  $-50^{\circ}\text{C}$  to  $155^{\circ}\text{C}$  ( $-58^{\circ}\text{F}$  to  $311^{\circ}\text{F}$ ).

The sensor is designed for measuring temperature in a dry-block calibrator.



#### Caution...

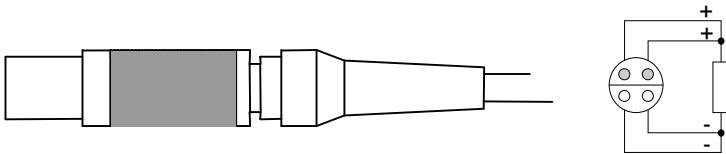
When measuring temperature in fluids (e.g. at re-calibration) the enclosed protection tube must be used.

The STS-102 probes may be supplied with certificates for a limited temperature range.

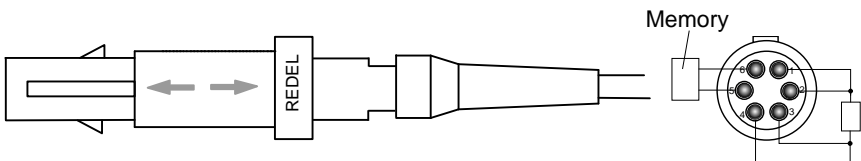
### 4.2 Connections

The probe is delivered with a connecting cable and with the following options:

Model with Lemo connection: 1 metre cable



Model with Redel/Lemo connection: 1 metre cable





## 4.3 Serial number

The serial number is placed on the connector as shown on the photo below:



## 5.0 Operation

---

### 5.1 Operation area

All the probes are intended for use in areas, which meet the following operating conditions:

Probe cable	:	-50°C to 155°C (-58°F to 311°F)
Probe connector	:	-20°C to 70°C (-4°F to 158°F)
Storage temperature	:	-20°C to 70°C (-4°F to 158°F)
Humidity	:	0% to 90% RH
Protection class	:	IP 50



### Warning

- Do not use in hazardous areas.

## 6.0 Maintenance

---

The probe does not require specific maintenance before or after use. The user may carry out the following procedure himself:

Cleaning sensor : Use alcohol or water and a soft cloth.



### Caution...

- The probe must **always** be protected against any mechanical damage.
- The probe must **never** be exposed to mechanical shock effects.
- Avoid thermal shock
- Any bending of the probe may cause permanent damage

## 7.0 Technical specifications

---

Type	: 4 wire Pt100. $\alpha_{100} = 0.00385 \text{ 1/ } ^\circ\text{C}$
Probe length	: 30 mm / 1.8 inch.
Temperature range	: $-50^\circ\text{C}$ to $155^\circ\text{C}$ ( $-58^\circ\text{F}$ to $311^\circ\text{F}$ )
Hysteresis @ $0^\circ\text{C}$ / $32^\circ\text{F}$	: $\pm 0.01^\circ\text{C}$ / $0.018^\circ\text{F}$
Stability <sup>1)</sup> @ $0^\circ\text{C}$ / $32^\circ\text{F}$	: typ. $0.025^\circ\text{C}$ / $0.045^\circ\text{F}$
Repeatability	: $0.002^\circ\text{C}$ / $0.0036^\circ\text{F}$
Diameter	: OD4 mm
Immersion depth	: Min. 30 mm / 1.8 inch.
Media compatibility	: AISI 316 TI
Response time	: $\tau_{0.9} = 16 \text{ sec.}$ (measured in water)
Self-heating effect	: $0.06^\circ\text{C} / \text{mW}$ / $0.108^\circ\text{F} / \text{mW}$
Recommended meas. current	: 1 mA
Connections	: Lemo plugs are standard
Insulation resistance	: 20 Mohm @ $155^\circ\text{C}$

<sup>1)</sup> when exposed to  $155^\circ\text{C}$  ( $311^\circ\text{F}$ ) for 200 hours. Stability will depend on actual use of the sensor.

### Certificate:

If the STS-102 A 030 reference probe is supplied with a certificate, the calibration is carried out as recommended below according to the ITS 90 temperature scale. The probes are as standard calibrated in the range  $-45^\circ\text{C}$  to  $155^\circ\text{C}$  ( $-49^\circ\text{F}$  to  $311^\circ\text{F}$ ).

It is recommended to calibrate in minimum 3 – 6 calibration points (depending on the temperature range) above  $0^\circ\text{C}$  and in minimum 2 calibration points beneath  $0^\circ\text{C}$ .

## 8.0 Calibration of temperature sensors for sanitary process connection

---

### 8.1 Accessories kit

Instructions for accessories kit for calibration of sanitary sensors:



The accessories kit, Part No. 123859 (ATC) / 127279 (RTC) contains the following parts:

- 1 pcs. carrying case for safe storing of accessories
- 5 pcs. undrilled insertion tubes
- 1 pcs. STS-102 A 030 reference probe with cable. Temperature range  $-50$  to  $155$  °C
- 1 pcs. accredited certificate
- 1 pcs. user manual
- 1 pcs. protection tube

This kit can only be used with the ATC-156, A or B version (123859) or RTC-156 A, B or C version (127279).

When calibrating sanitary sensors or sensors with short insertion lengths in general various conditions have to be considered to obtain an optimum and correct calibration. Therefore, AMETEK Denmark A/S recommends that this instruction be followed.

A sanitary sensor is normally similar to one of the two examples shown below.

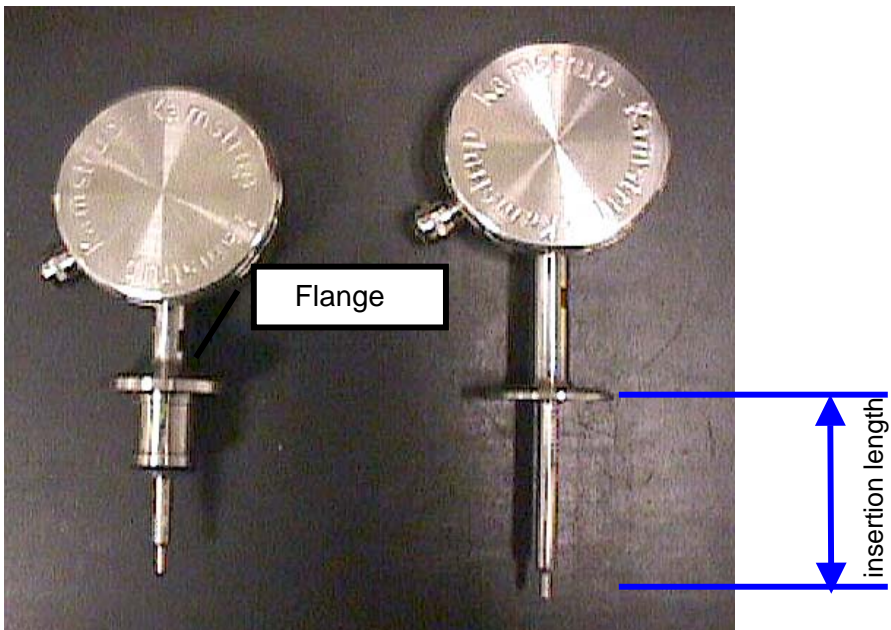


Fig. 1

Due to the very short insertion length, heat transfer through the sensor tube and flange is of great importance to the calibration result. Therefore, it is very important to achieve a good thermal contact to the sensor as well as to the flange.

Make sure that the sensor fits exactly into the supplied insertion tube. It is very important to have good mechanical and thereby also thermal contact between the flange and the horizontal surface of the insertion tube. In other words, there must be no air between the flange and the insertion tube. (See also fig. 2).

## 8.2 The reference sensor

Included in the package is a STS-102 A 030 reference probe especially developed for the purpose. It is important that this probe is treated carefully so it does not suffer any harm. When placing the probe in the reference hole of the insert ( $\varnothing$  4.2 mm) make sure that there is no mechanical resistance.



## Caution...

**Never** use power or tools to place the sensor.

When the calibration is over, the STS-102 A 030 reference probe should be removed from the insert and stored in an appropriate place, for example in the carrying case included in the delivery.



## Note...

We recommend recalibrating the STS-102 A 030 reference probe at least once a year, more if there is any doubt about its measuring capability.

The STS-102 A 030 reference probe may be calibrated as an independent unit or as a system together with the calibrator.

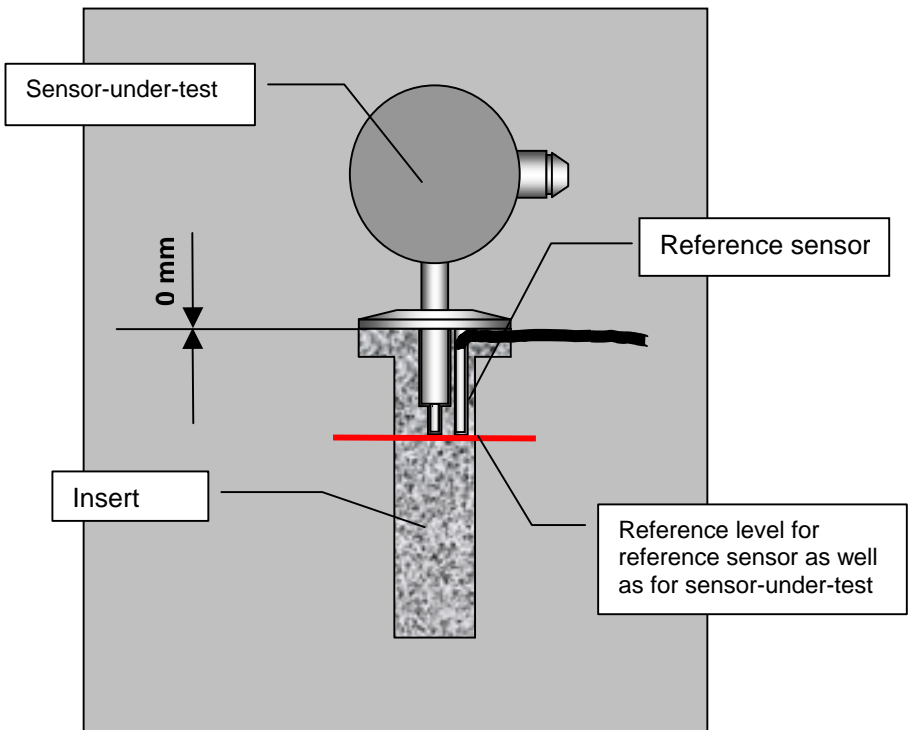


Fig. 2

## 8.3 The calibration sequence

1. Place the special insert in the calibrator.
2. Place the STS-102 A 030 reference probe in the reference hole of the special insert. Make sure that the STS-102 A 030 reference probe reaches down to the bottom. The cable is placed in the groove of the insert. If the calibrator's reference input is used, make sure that the correct calibration data for the STS-102 A 030 reference probe have been downloaded, see user manual 105447 for ATC-156B or 127139 for RTC-156B and C. If another reference instrument is used, please follow the instructions for this.
3. Place the sanitary sensor in the insert and make sure that the cable of the reference probe is not jammed, but completely free.
4. When calibrating it is a good idea to try to create a calibration situation as close to reality as possible.
5. If the sensor is normally insulated in the process, it should also be insulated in a similar way during the calibration to secure the same thermal conditions. (See fig. 3).

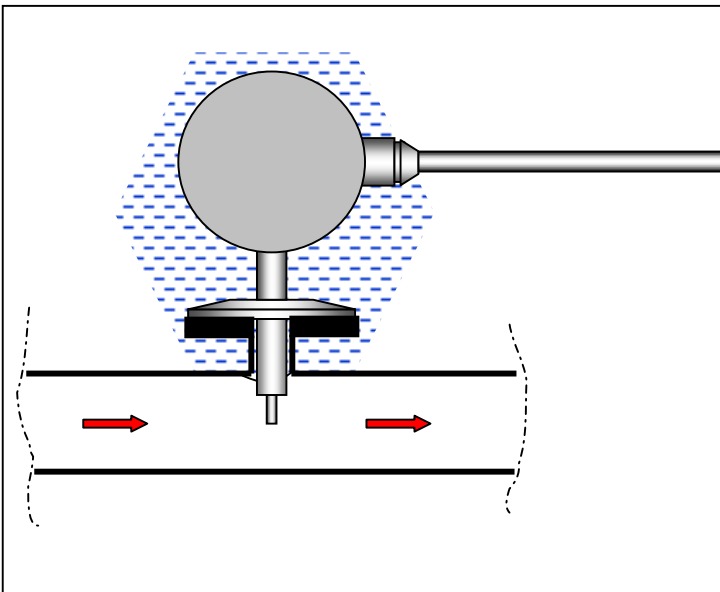


Fig. 3



6. Calibration and setup of the calibrator as usual and as described in the user manual.

Please note that all temperature points and the accuracy during the calibration must relate to the reference probe and not to the “Read” value in the display.

To avoid discrepancies between “Set” value and “Read” and “True” values it is recommended to use the “Set Follows True” function as described in the user manual 105447 for the ATC or 127139 for RTC-156 calibrator. If using this function, calculate on a prolonged calibration time of approx. 10 minutes per calibration point.

## 8.4 Drilling instructions

In order to obtain good measuring results it is important that the hole of the insert fits exactly into the dimensions of the sensor tube to ensure a good contact between the sensor and the insert. It is especially important that the flange of the sensor fits tight to the surface of the insert.

### Procedure:

1. The part of the sensor that must be dropped down into the insert is measured. The diameter “d” and the length “l” must be measured. If the sensor has different diameters, all of these must be measured as well as their corresponding lengths. It is important to note that there where the change in the sensor’s diameter occurs the transition is gradual in an arched form (“r1” and “r2”).
2. The hole for the sensor is placed in the centre of the insert. The diameter is stated as the measured diameter + 0.2 mm. The tolerance of the diameter must be  $\pm 0.05$  as indicated in fig. 4.
3. The length of the hole for the sensor is the measured length + 0.5 mm.
4. The hole for the reference probe must be similar to the total length of the sensor “l1”, see fig. 4. The diameter of the hole for the reference probe is  $\varnothing 4.2$  mm as indicated in fig. 4.

5. The hole for the reference probe is placed in the drilling. There need to be 3 mm between the diameter of the reference probe and the largest diameter of the sensor-under-test.

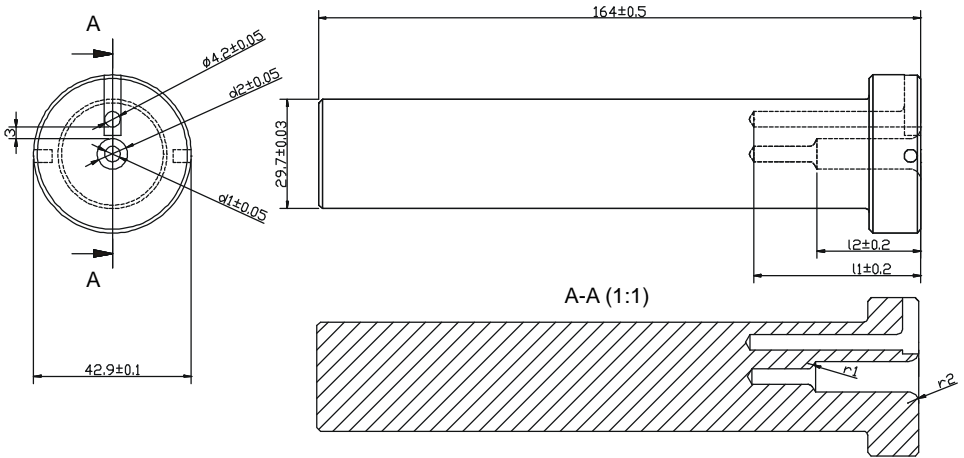


Fig. 4



#### **AMETEK Calibration Instruments**

One of the world's leading manufacturers and developers of calibration instruments for temperature, pressure and process signals as well as for temperature sensors both from a commercial and a technological point of view.

#### **JOFRA Temperature Instruments**

Portable precision thermometers. Dry-block and liquid bath calibrators: 4 series, with more than 25 models and temperature ranges from -90° to 1205°C/-130° to 2200°F.

#### **JOFRA Pressure Instruments**

Convenient electronic systems ranging from -1 to 1000 bar - multiple choices of pressure ranges, pumps and accuracies, fully temperature-compensated for problem-free and accurate field use.

#### **JOFRA Signal Instruments**

Process signal measurement and simulation for easy control loop calibration and measurement tasks - from handheld field instruments to laboratory reference level bench top instruments.

#### **JOFRA Marine Instruments**

A complete range of calibration equipment for temperature, pressure and signal, approved for marine use.

#### **FP Temperature Sensors**

A complete range of temperature sensors for industrial and marine use.

#### **M&G Pressure Testers**

Pneumatic floating-ball or hydraulic piston dead weight testers with accuracies to 0.015% of reading.

#### **M&G Pumps**

Pressure generators from small pneumatic "bicycle" style pumps to hydraulic pumps generating up to 1,000 bar.

**AMETEK**<sup>®</sup>  
CALIBRATION INSTRUMENTS

#### **Headquarters:**

**AMETEK Denmark A/S**  
Gydevang 32-34 • 3450 Allerød • Denmark  
Tel: +45 4816 8000 • [ametek@ametek.dk](mailto:ametek@ametek.dk)

#### *Sales & Service:*

*Europe, Asia, Africa, Middle East and South America*

[www.jofra.com](http://www.jofra.com)

#### **Sales & Service Offices:**

**AMETEK Mansfield & Green (North America)**  
Tel: +1 800 527 9999 • [cal.info@ametek.com](mailto:cal.info@ametek.com)

**AMETEK Singapore Pte. Ltd. (Singapore)**  
Tel: +65 6 484 2388 • [aspl@ametek.com.sg](mailto:aspl@ametek.com.sg)

**AMETEK Inc. Beijing Rep. Office (China)**  
Tel: +86 10 8526 2111 • [jofra@ametek.com.cn](mailto:jofra@ametek.com.cn)

**AMETEK GmbH (Germany)**  
Tel: +49 2159 9136 510 • [info.mct-de@ametek.de](mailto:info.mct-de@ametek.de)

**AMETEK Calibration Instruments (UK)**  
Tel: +44 (0) 1243 833 302 • [jofra@ametek.co.uk](mailto:jofra@ametek.co.uk)